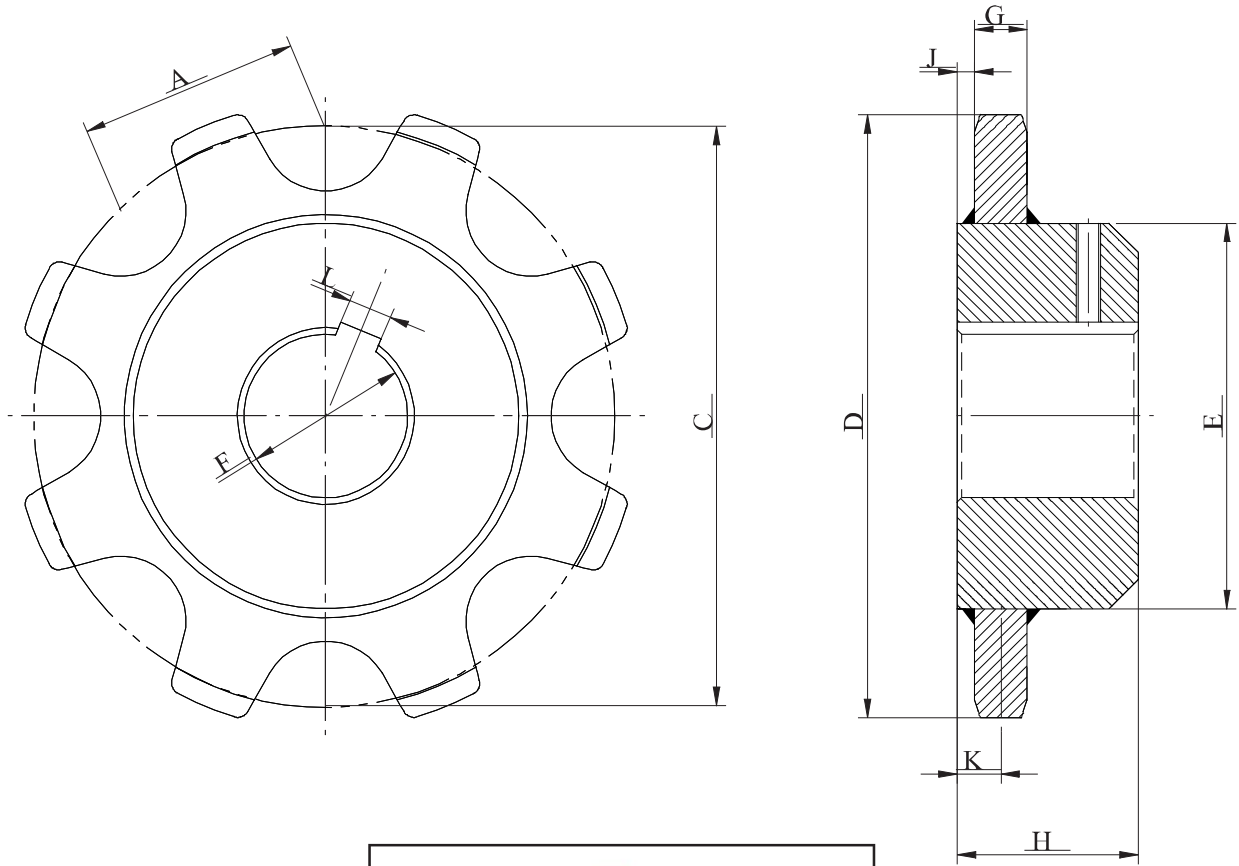


Sprockets, Buckets, Pans, Slats, Scraper Blades & Spares



Sprockets

Apron / Weigh Feeder Head & Tail Sprocket



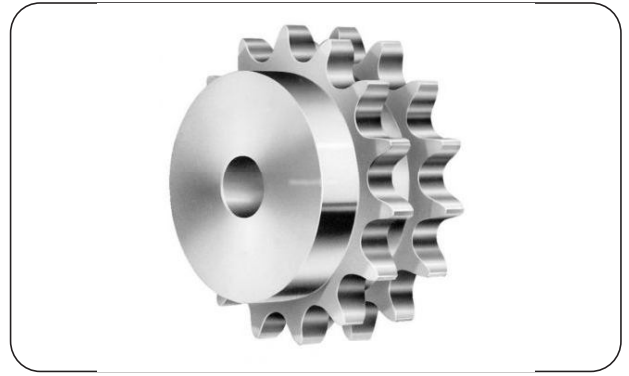
CUSTOMIZABLE PARAMETERS														
Model No.	Pitch	No. of Teeth	P.C.D.	O.D.	Boss	Bore	Tooth Thing	Total Length	STEP DIA	DEPTH	CENTER	KEYWAY	Teeth Hardness	Case Depth
	A	Z	C	D	E	F	G	H	I	J	K	L		
SWAJIT 075 H	152.4	8	398	432	265	160	36	130	265	12	30	40 X 170	40-50	02-03 mm
SWAJIT 075 T	152.4	8	398	432	265	75	36	95	265	12	30	20 X 80	40-50	02-03 mm
SWAJIT 100 H	203.2	10	657	714	350	210	45	150	525	12	37	50 X 221	47-57	02-03 mm
SWAJIT 100 T	203.2	8	531	585	175	75	42	149	390	12	37	20 X 80	47-57	02-03 mm
SWAJIT 120 H	203.2	10	657	714	350	210	45	150	525	12	37	50 X 221	47-57	02-03 mm
SWAJIT 120 T	203.2	8	531	585	175	75	42	149	390	12	37	20 X 80	47-57	02-03 mm
SWAJIT 160 H	203.2	10	657	721	350	210	47	200	540	15	38	50 X 221	47-57	02-03 mm
SWAJIT 160 T	203.2	8	530	595	150	75	47	150	390	13	37	20 X 80	47-57	02-03 mm

Alternative Sizes are also available on request

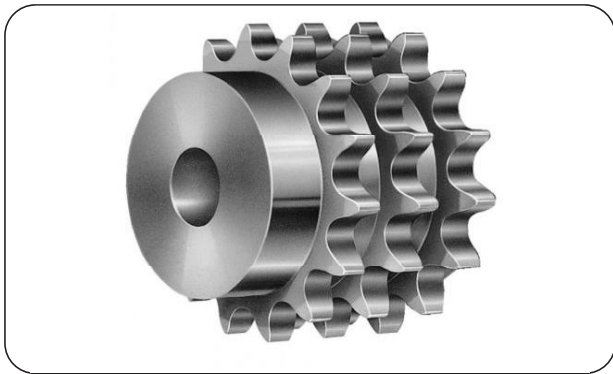
(All dimensions are in mm)



Simplex Sprocket



Duplex Sprocket



Triplex Sprocket



Segmented Sprocket



Segmented Sprocket with Hub Assembly



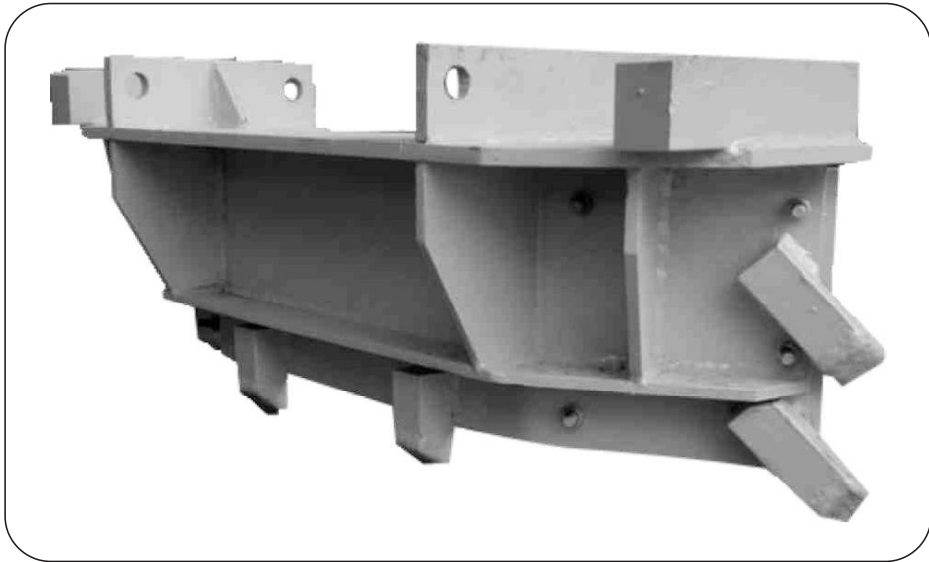
Forged Chain Sprocket



Sprocket



Sprocket Regular



Scraper Blade



Pan



Bucket



Outboard Rollers for DBC & Pan Conveyor